

4ZB4-FF STATIONARY LOUVER W/FLANGE FRAME

STANDARD CONSTRUCTION

FRAME

4" deep, 6063-T5 extruded aluminum.
.081" nominal wall thickness.

BLADES

6063-T5 extruded aluminum.
.081" nominal wall thickness.
Blades are positioned at a 37.5° angle and spaced on approximately 4" centers.

SCREEN

3/4" x .051" thick, flattened expanded metal, aluminum bird screen in removable frame.
Screen will add approximately 1/2" to the depth of the louver.

FINISH

Mill

MINIMUM LOUVER SIZE

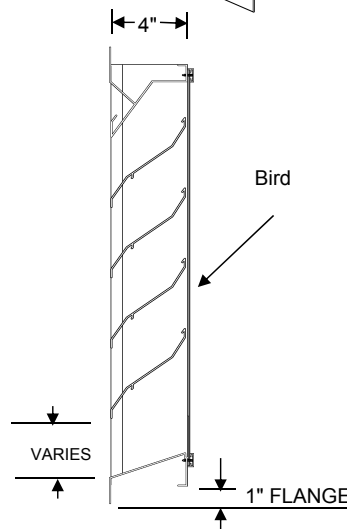
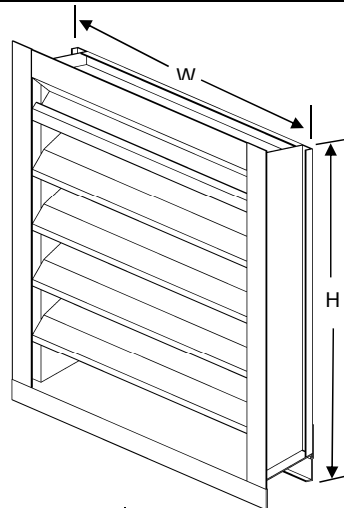
12"w x 12"h

MAXIMUM LOUVER SIZE

70 sq. ft. per section
Single section size not to exceed 120"w x 84"h or 84"w x 120"h.
Louvers exceeding maximum single section size will be built in multiple sections and require field assembly.

BLADE BRACE SUPPORT ANGLES

Depending on louver size, windload or other special requirements, louvers will have rear mounted blade support angles that will increase overall depth of the louver.



STANDARD FEATURES

- Aluminum construction providing high resistance to corrosion.
- All welded construction for strength and durability.
- 52% Free Area.(Based on 48" x 48" Unit)
- Drainable head collects and channels water to drainable jamb to provide excellent water penetration performance.
- Hidden mullions allow for continuous blade appearance up to 120".

OPTIONS AVAILABLE

Options available at additional cost include:

- Sill Extension/Head Flashing.
- Hinged Frame/ Channel Subframe.
- Security Bars.
- Filter Rack.
- Bird/Insect screens. (See Screen Submittal)
- Blank-off Panels. (Standard or insulated)

FINISHES

- Baked Enamel.
- Kynar.
- Prime coat.
- Clear and Color Anodized. (Some variation in Anodized color consistency is possible)

Contact Air Performance for any additional information or special requirements

Note: Louvers built 1/4" smaller than opening size given.

| QTY | OPENING SIZE (inches) | | OPTIONS | TAG |
|-----|-----------------------|------------|---------|-----|
| | WIDTH (W) | HEIGHT (H) | | |
| | | | | |
| | | | | |
| | | | | |
| | | | | |
| | | | | |
| | | | | |
| | | | | |
| | | | | |
| | | | | |

PROJECT: _____

CONTRACTOR: _____

LOCATION: _____

REPRESENTATIVE: _____

DATE: _____

ARCHITECT/ENGR: _____