

5WDRL-MD (Miami-Dade approved) WIND DRIVEN RAIN RESISTANT LOUVER

NOA No. #20-1104.21



P.O. Box 86
159 Genco Drive
Hartford, AL 36344
Phone: (334) 588-0070
Fax: (334) 588-0071

STANDARD CONSTRUCTION

FRAME

5" deep, 6063-T6 extruded aluminum.
.081" nominal wall thickness

BLADES

6063-T6 extruded aluminum.
.081 nominal wall thickness.
Double Drainable, sight proof blades
spaced on approximately 2.125" centers.

SCREEN

3/4" x .051" thick, flattened expanded metal,
aluminum bird screen in removable frame.
Screen will add approximately 1/2" to the
depth of the louver.

MINIMUM LOUVER SIZE

12" w x 12" h

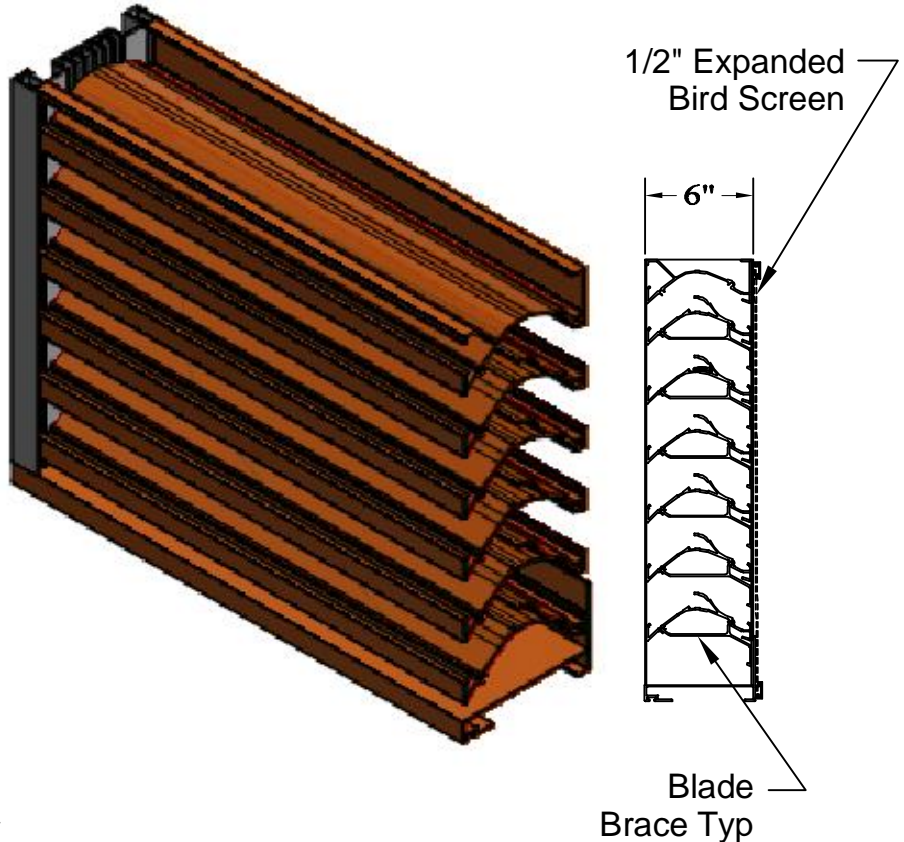
MAXIMUM LOUVER SIZE

Single section size not to exceed 80" w x
96" h

Louvers exceeding maximum single section
size will be built in multiple sections and
require field assembly.

BLADE BRACE SUPPORT ANGLES

Depending on louver size, windload or other
special requirements, louvers will have rear
mounted blade support angles that will
increase overall depth of the louver.



OPTIONS AVAILABLE

Options available at additional cost include:

- Sill Extension/Head Flashing.
- Hinged Frame/ Channel Subframe.
- Security Bars.
- Filter Rack.
- Bird/Insect screens. (See Screen Submittal)
- Blank-off Panels. (Standard or insulated)

FINISHES

- Baked Enamel.
- Kynar.
- Prime coat.
- Clear and Color Anodized. (Some variation in
Anodized color consistency is possible)

**Contact Air Performance for any additional
information or special requirements**

STANDARD FEATURES

- Special blade design and close spacing minimizes
penetration of Wind-Driven Rain for excellent
weather protection.
- Tested in accordance with AMCA 500-L Laboratory
Methods of testing Wind-driven Rain Performance.
- Published performance ratings data based on
testing in accordance with AMCA Publication 511
- 52% Free Area.
- Aluminum construction providing high resistance
to corrosion.