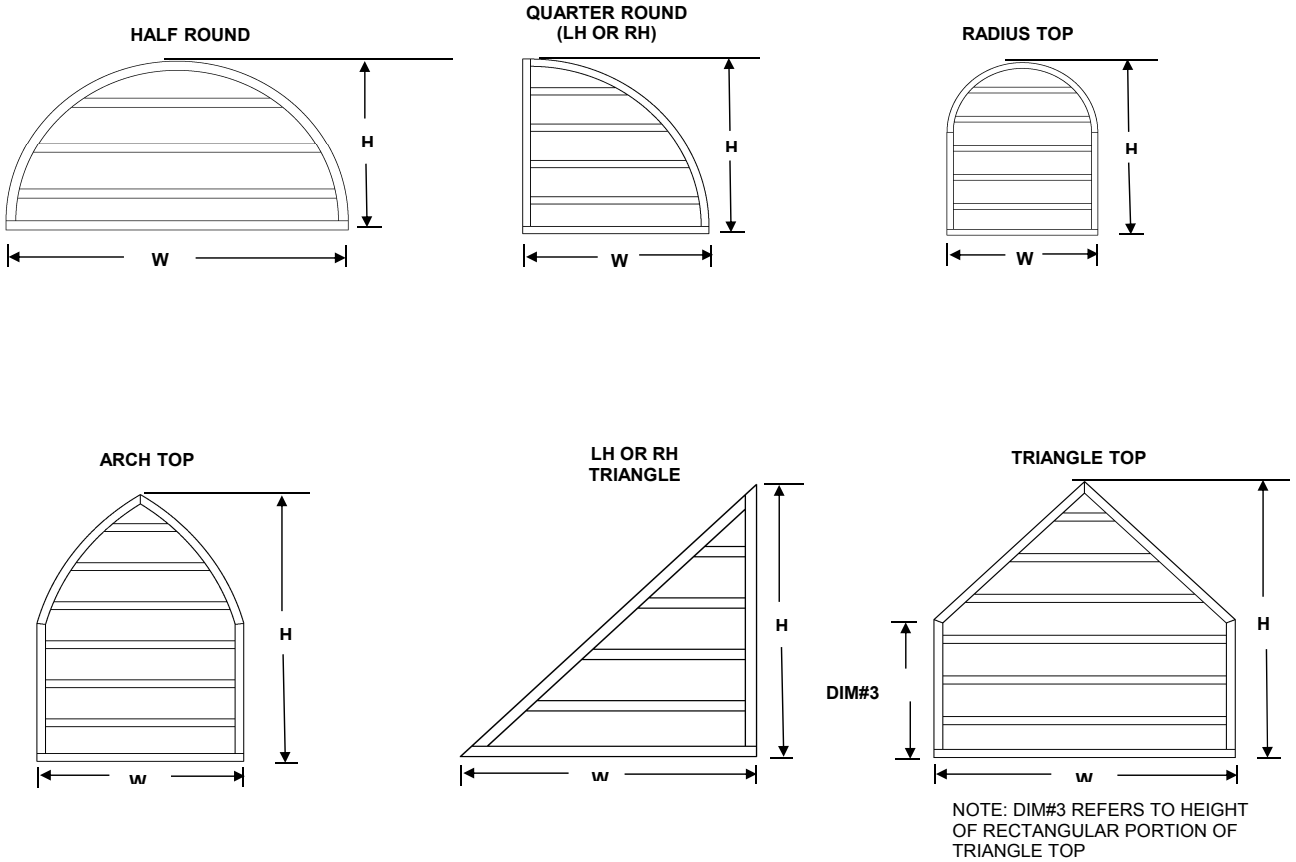


ARCHITECTURAL SPECIAL SHAPE LOUVERS



Refer to Louver Submittal Sheets for more information.

See submittal sheet for standard Rounds and Triangles.

Other shapes available upon request.

Contact Air Performance for any additional information or special requirements

QTY	OPENING SIZE (inches)			OPTIONS
	WIDTH (W)	HEIGHT (H)	DIM#3	

PROJECT: _____
LOCATION: _____
DATE: _____

CONTRACTOR: _____
REPRESENTATIVE: _____
ARCHITECT/ENGR: _____