

### PTG-149 GRILLE (POSITION #1)

#### STANDARD CONSTRUCTION FRAME

6063-T6 Extruded Aluminum  
 .062" Nominal Wall Thickness

#### BLADES

6063-T6 Extruded Aluminum  
 .062" Nominal Wall Thickness  
 0.775" Blade Spacing

#### BRACE BARS

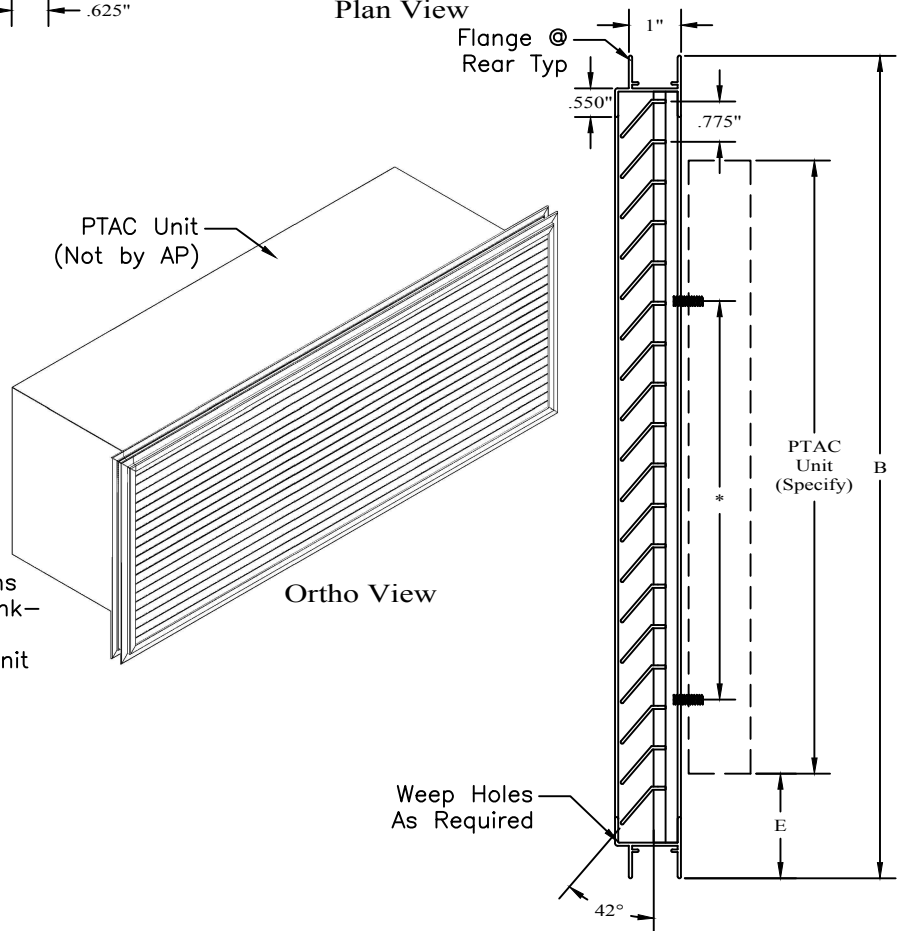
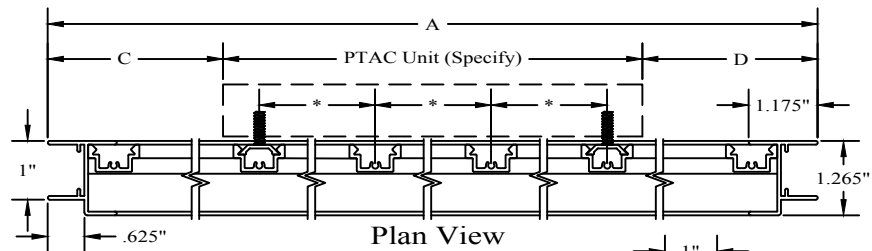
As Required NTE 16" OC

#### STANDARD FEATURES

- Aluminum Construction Providing High Resistance to Corrosion
- High Free Area and Low Resistance to Air Flow Air Flow Make This Ideal For PTAC Applications

#### OPTIONS

- Kynar Finish
- Various Frames/Adaptor Options
- Insulated & Non-Insulated Blank-Off Panels
- Blank-Off Cutouts For PTAC Unit
- Bird & Insect Screens



\* Dimensions Determined by Unit, Model And Type

Unit Type	Unit Model No.	Specify Size					Variations
		A	B	C	D	E	